

PRODUCT INFORMATION

A



MODERNITY

Effective three-sided combustion chamber is a reflection of modern designs with maximum vision of fire (glass pane without print).

SERVICE AND SAFETY

A new guillotine type with service access ensures tightness of the insert and safety against opening by children. The design of the insert minimizes the effect of reversing smoke on the room when the insert is opened.

QUALITY

Inserts made of high-quality P265GH boiler steel, which is resistant to continuous operation at high temperature. A reinforced construction of the door frame is used.

REPEATABILITY

Production use a modern machine park: welding robots, press brakes, laser cutters.

ECOLOGY

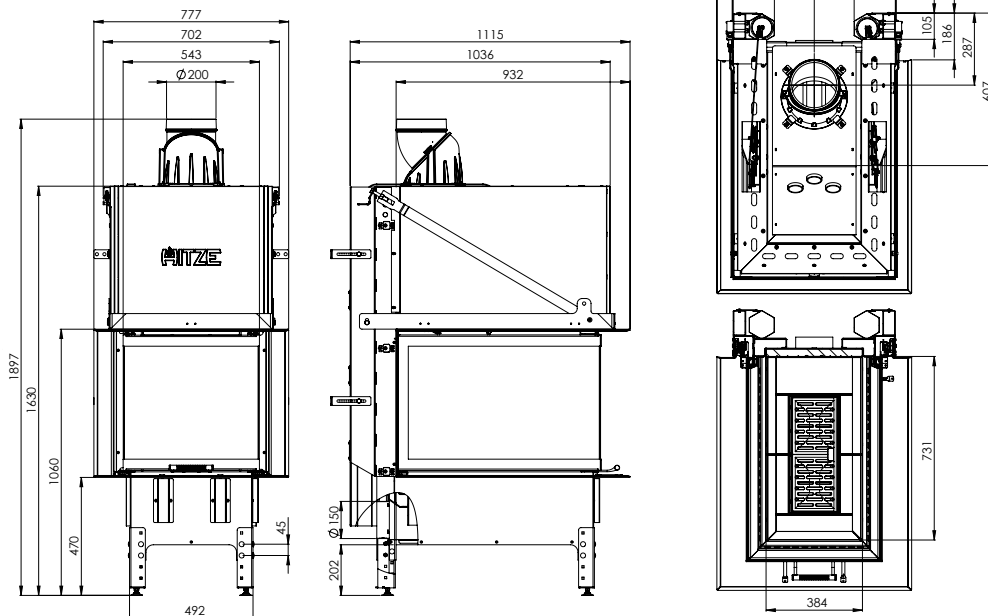
Inserts meet restrictive emission standards and the ECODESIGN and BImSchV II directives, thanks to the use of afterburning system and two deflectors.

EASY OPERATION

Wide combustion chamber with double cast iron grate - 2 x 175 mm in the tilting frame and independent throttle-controlled aeration. A large container for ash in the form of a removable container under the grate.

CLEAN GLASS SYSTEM

Two air curtains and a three-way air guide with independent ventilation provides the effect of "clean glass". The air from the outside is supplied through one stub and then divided into three independent channels $\varnothing 90$: under the grate, lower air curtain and afterburner and the upper air curtain.



Nominal power [kW]	12,0
Heating load range [kW]	6,0-15,5
Thermal efficiency [%]	78
CO emission (by 13% O ₂) [g/m ³]	1,133
Dust emission [g/m ³]	0,038
Average fuel consumption [kg/h]	3,7
Recommended active area of outlet grids [cm ²]	840-960
Recommended active area of inlet grids [cm ²]	480-780
Dimensions of the glass [mm]	540x800x530
External dimensions [mm]	777x1897x1115
Flue diameter [mm]	200
Air intake diameter [mm]	150
Weight [kg]	384
Efficiency coefficient	103,0
Energy class	A

OTHER EQUIPMENT:

Ceramic deflectors, heat pipes, cast iron flue, adjustable feet (+4 cm).